



**UNIVERSITY OF SWAZILAND  
SUPPLEMENTARY EXAMINATION PAPER**

**PROGRAMME: BSC ABE. II**

**COURSE CODE: ABE 202**

**TITLE OF PAPER: ENGINEERING DRAWING**

**TIME ALLOWED: TWO (2) HOURS**

**SPECIAL MATERIAL REQUIRED: DRAWING EQUIPMENT**

**INSTRUCTIONS: ANSWER QUESTION ONE AND ANY TWO  
OTHER QUESTIONS.**

**DO NOT OPEN THIS PAPER UNTIL PERMISSION HAS BEEN  
GRANTED BY THE CHIEF INVIGILATOR**

## SECTION I      COMPULSORY

## QUESTION 1

- a) Briefly discuss the use of blue prints in drawing. [6 marks]
- b) What are the advantages of French curves in the drawing of curved edges? [6 marks]
- c) Isometric drawings still find common practice in drawing
- (i) Name the various isometric drawing commonly used. [6 marks]
- (ii) What isometric drawing is very often used by architects? [10 marks]
- d) Draw orthographic views of the isometric drawing in figure 1 [18 marks]

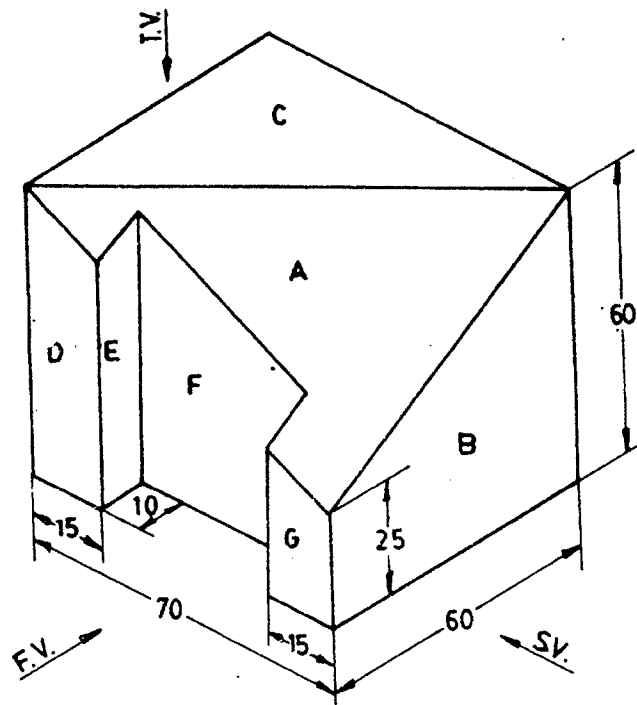


Figure 1      a guide block

## SECTION II ANSWER ANY TWO QUESTIONS

## QUESTION 2

- a) Name any five types of sectional views used in drawing [10 marks]
- b) What are the common objectives of drawing auxiliary views and orthographic projection? [10 marks]
- c) Draw a sectional view of the cutting plane shown in figure 2 [10 marks]

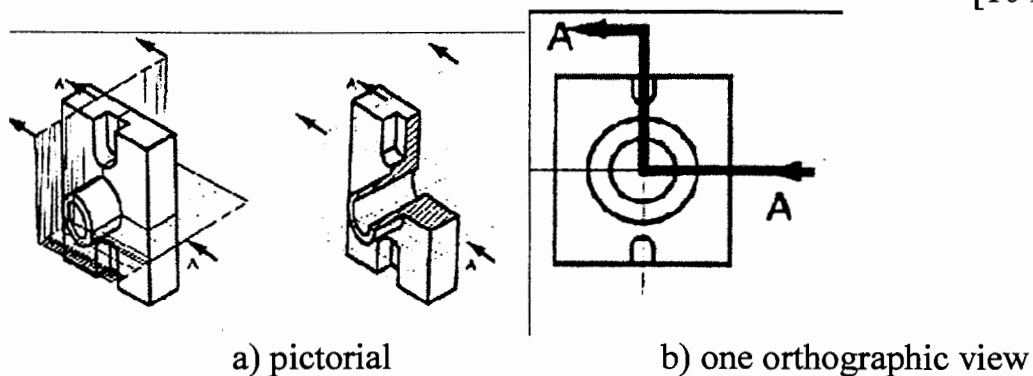


Figure 2 sectioned views of a holding block

## QUESTION 3

- a) Discuss the advantages and disadvantages of using AutoCAD in engineering drawing. [10 marks]
- b) What advantages are displayed by using snap and grid tools in drawing with AutoCad? [8 marks]
- c) What are output components of a computer hardware used for autocad drawing? [6 marks]
- d) How do the output components differ from each other? [6 marks]

**QUESTION 4**

a) Distinguish between dimension lines and extension lines as used in sizing of objects in drawing.

[10 marks]

b) What are the major objectives of scales in drawing?  
List the types of scales and give an example of a value of such a scale.

[10 marks]

c) What are primary auxiliary views? [4 marks]

Name any three primary auxiliary views commonly used. [6 marks]