



UNIVERSITY OF SWAZILAND  
FINAL EXAMINATION PAPER

PROGRAMME: BSC AGRICULTURAL AND BIOSYSTEMS ENGINEERING II

COURSE CODE:            ABE211

TITLE OF PAPER: ANIMAL DRAUGHT IMPLEMENTS

TIME ALLOWED: TWO (2) HOURS

SPECIAL MATERIAL REQUIRED: NONE

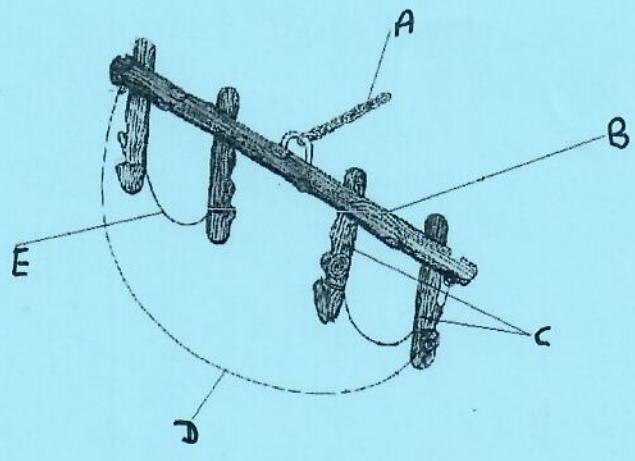
INSTRUCTIONS: ANSWER QUESTION ONE AND ANY TWO OTHER QUESTIONS

DO NOT OPEN THIS PAPER UNTIL PERMISSION HAS BEEN GRANTED BY THE  
CHIEF INVIGILATOR

**ANIMAL DRAUGHT**

**Question 1: Compulsory**

- (a) Give and discuss five things that are considered when selecting draught animals. [20 Marks]
- (b) Label the components of the yoke as indicated on the diagram and discuss what each is used for? [20 Marks]



TOTAL= [40 Marks]

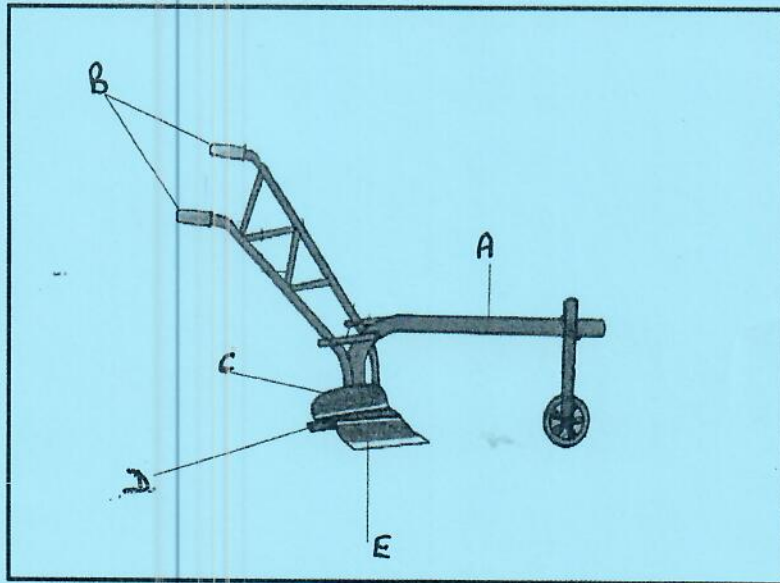
**Question 2**

- (a) Give two reasons why should a bull that has selected for draught purposes be castrated. [10 Marks]
- (b) Give and discuss two steps that are taken during castration. [10 Marks]
- (c) Why is draught animal nutrition important and how is it achieved. [10 Marks]

TOTAL= [30 Marks]

**Question 3**

- (a) Blow is a diagram showing some parts of a mould plough. Discuss the functions of each part. [20 Marks]



- (b) Give two methods of planting when using draught animals and one disadvantage of each method. [10 Marks]

Total = [30 Marks]

**Question 4**

- (a) Discuss four steps that are taken when training a draught animal. [20 Marks]
- (b) Give and discuss two reasons why the width of tillage is important when using draught. [10 Marks]

Total = [30 Marks]